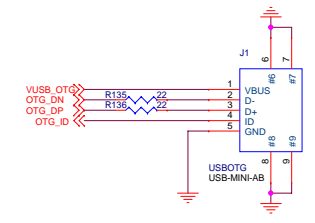
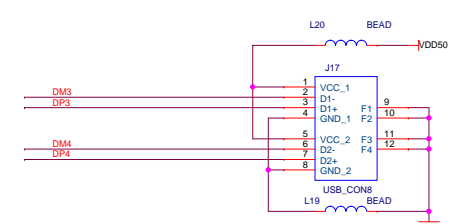
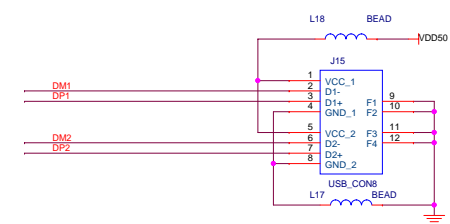
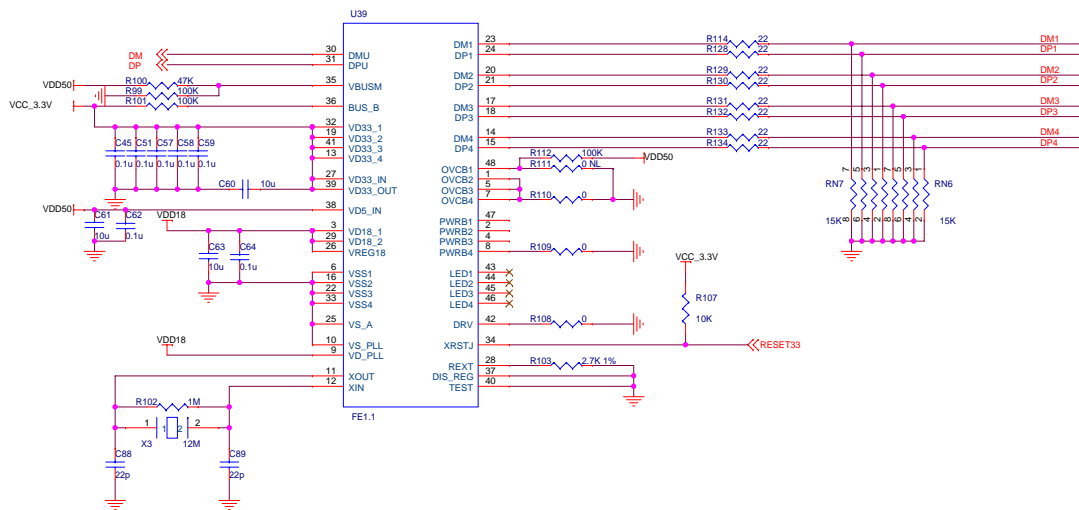
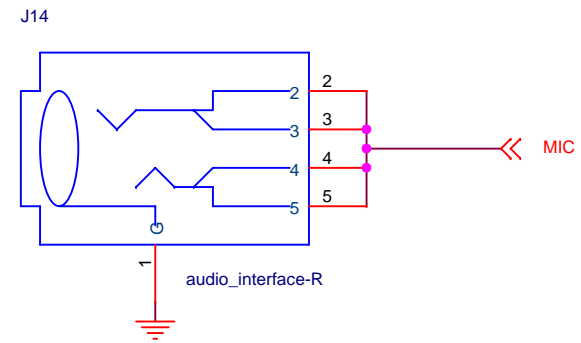
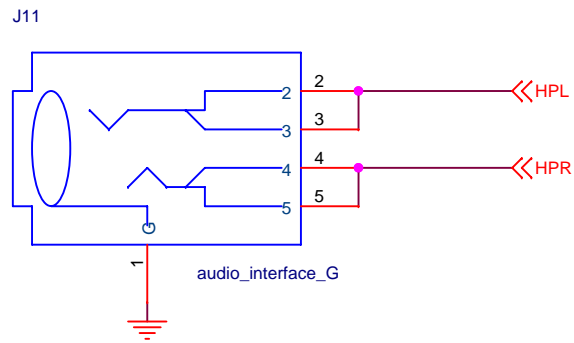


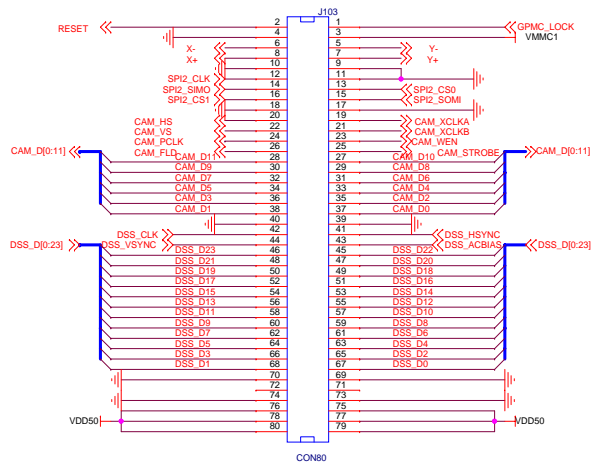
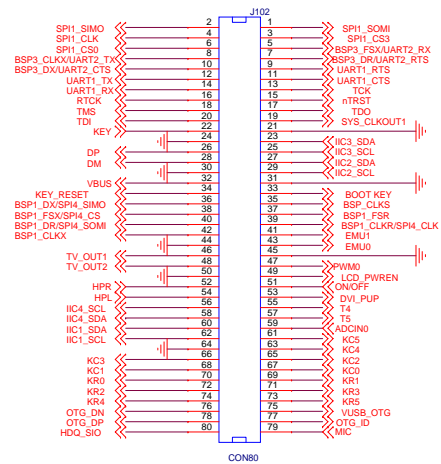
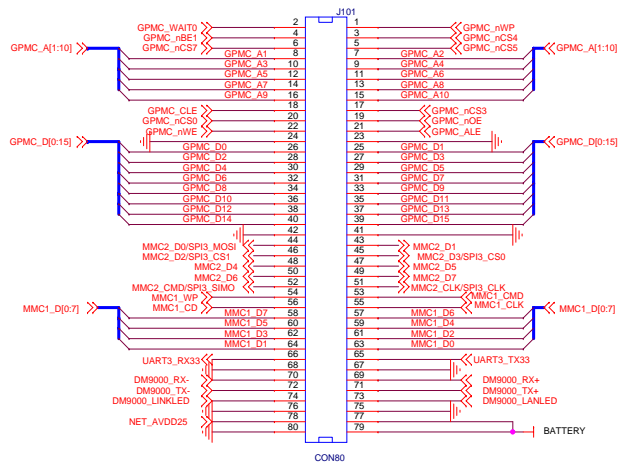
Title			<Title>
Size	Document Number	Rev	
A4	<Doc>	<Rev C>	
Date:	Friday, December 24, 2010	Sheet	1 of 1

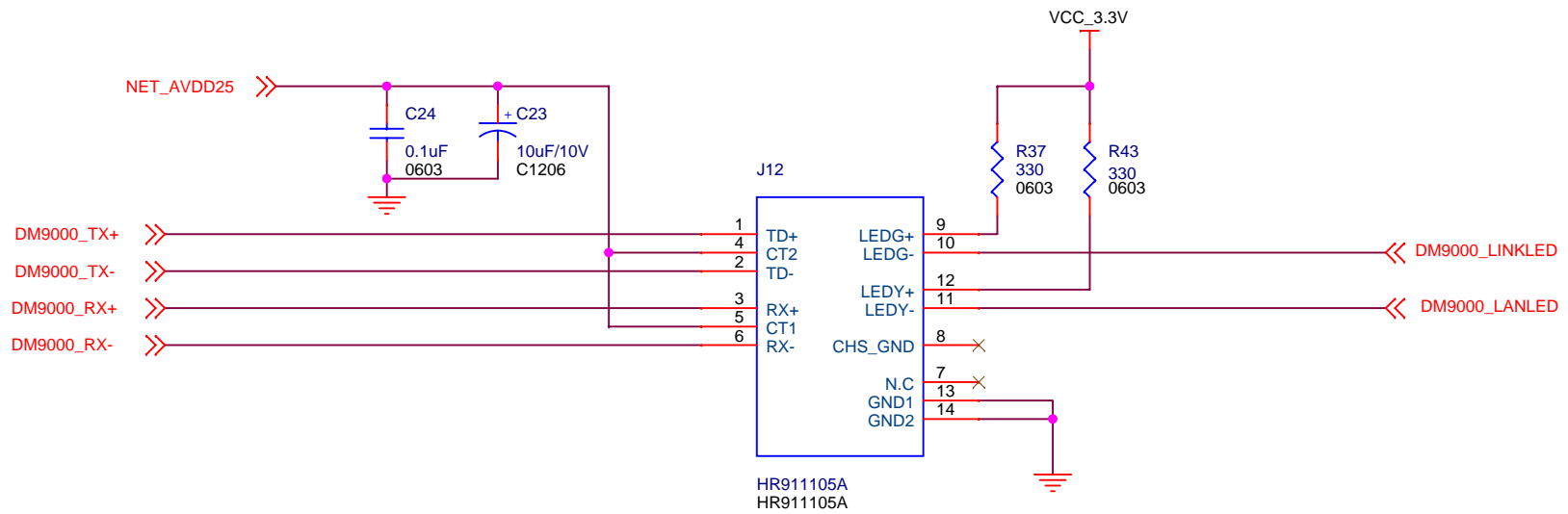


File	<Title>		Rev
Size	Document Number	<Doc>	
C			
Date:	Friday, December 24, 2010	Sheet	1 of 1

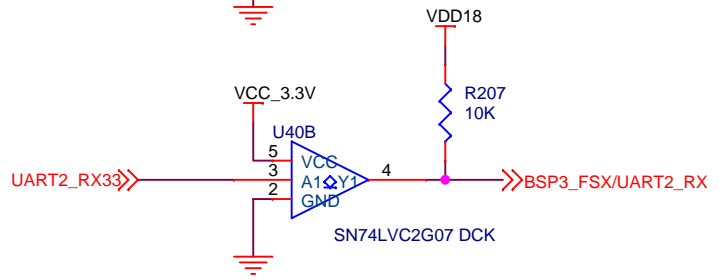
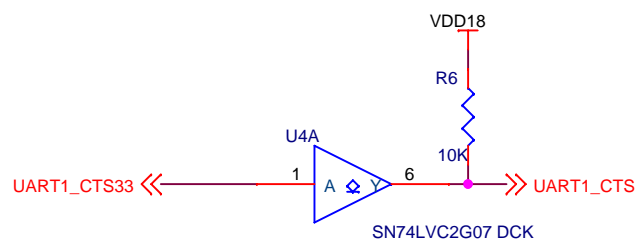
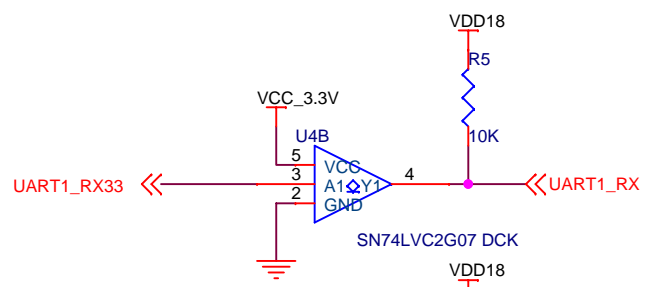
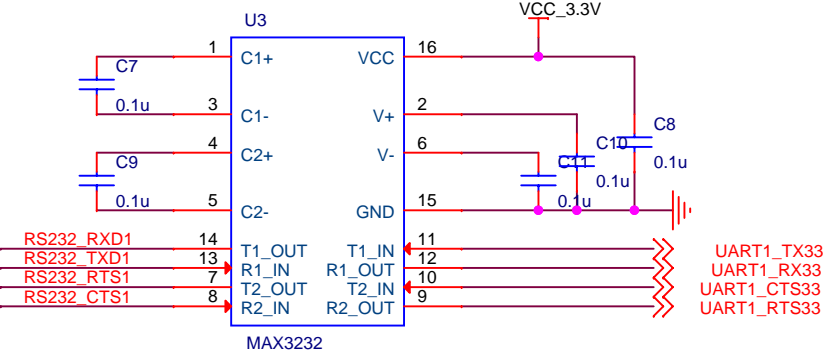
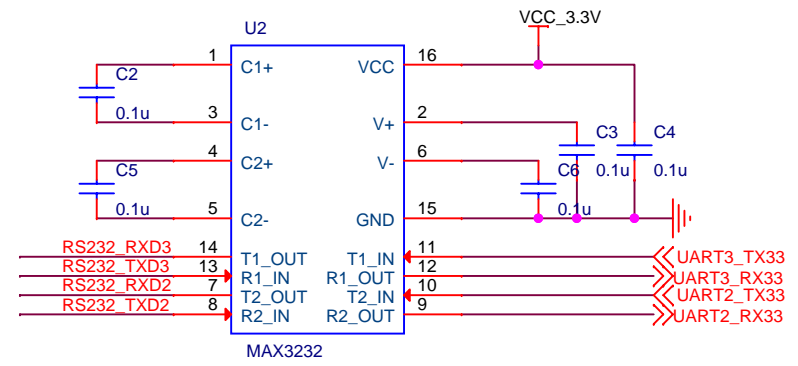
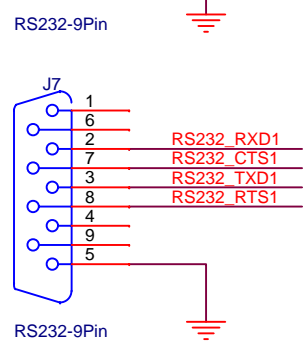
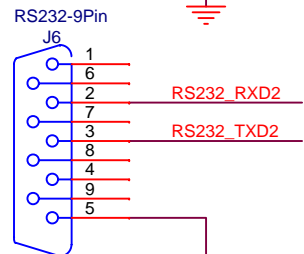
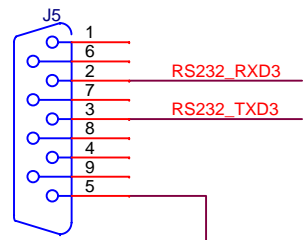


Title		
<Title>		
Size	Document Number	Rev
A4	<Doc>	<RevC>
Date:	Friday, December 24, 2010	Sheet 1 of 1

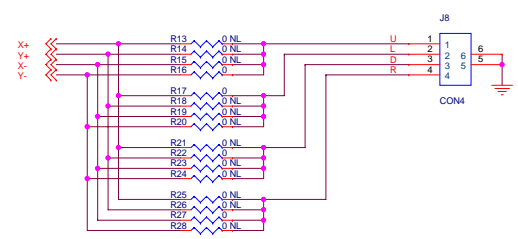
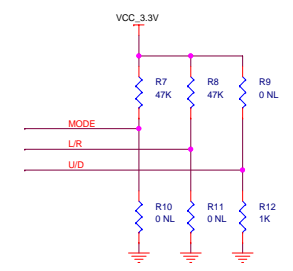
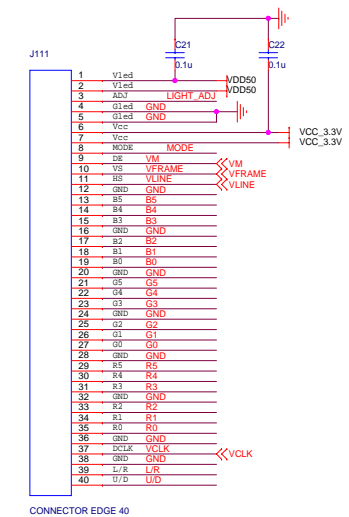
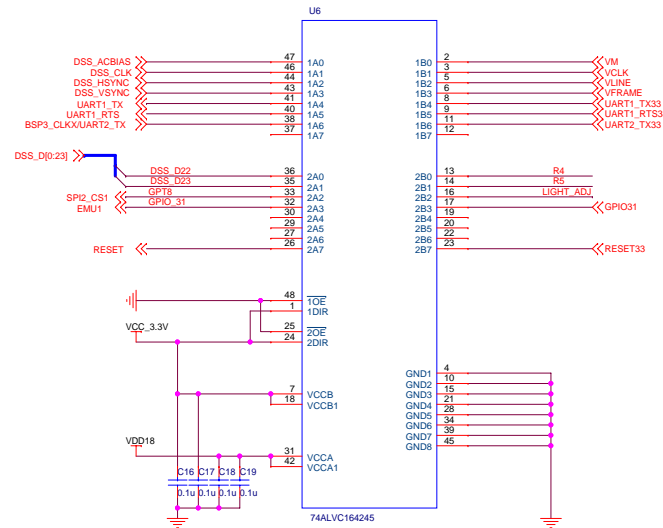
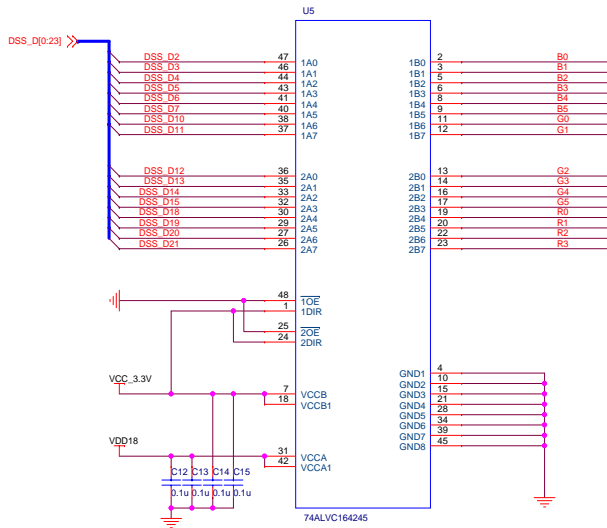


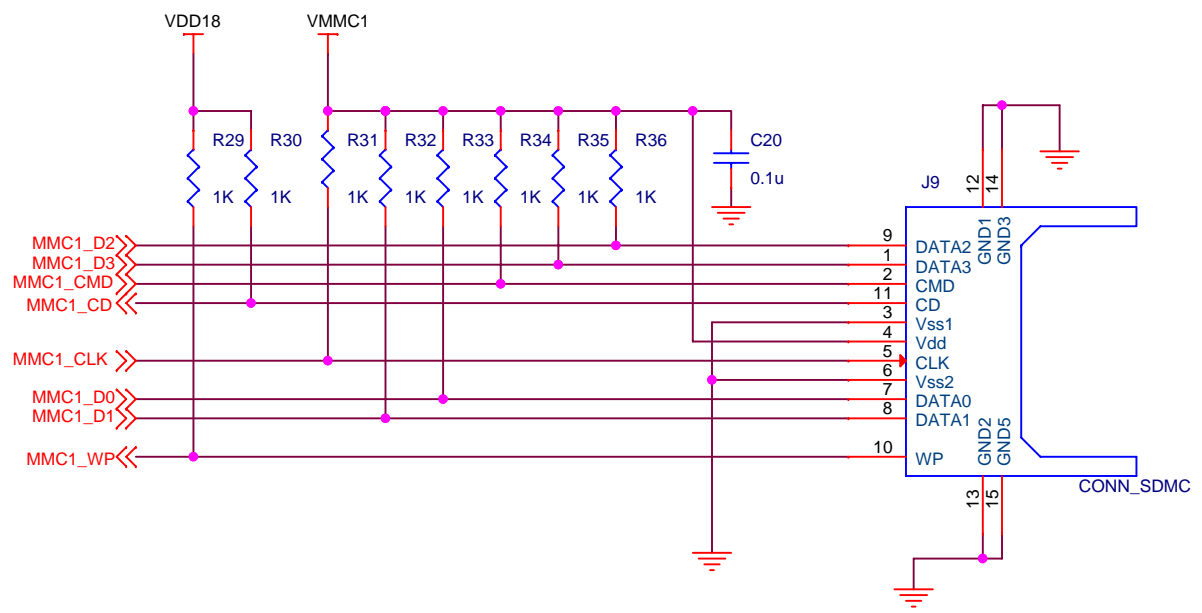


Title		
<Title>		
Size	Document Number	Rev
A4	<Doc>	<RevC>
Date:	Wednesday, February 16, 2011	Sheet 2 of 9

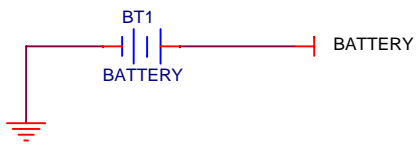
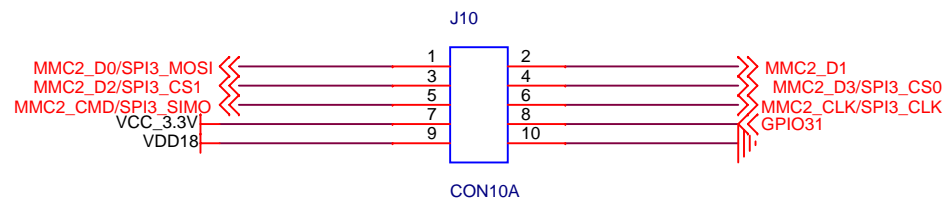


Title			<Title>
Size	Document Number		Rev
A4	<Doc>		<RevC>
Date:	Friday, December 24, 2010	Sheet	3 of 9





Title			<Title>
Size	Document Number	Rev	
A4	<Doc>	<Rev C>	
Date:	Friday, December 24, 2010	Sheet	5 of 9



Title		
<Title>		
Size	Document Number	Rev
A4	<Doc>	<RevC>
Date:	Monday, December 27, 2010	Sheet 6 of 9