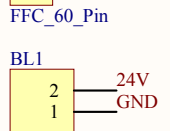
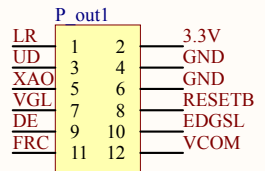
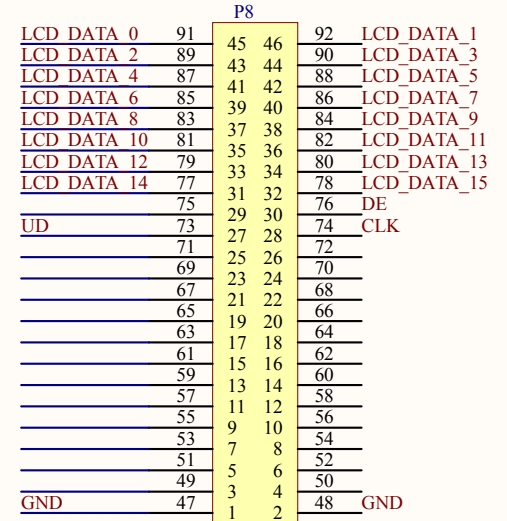
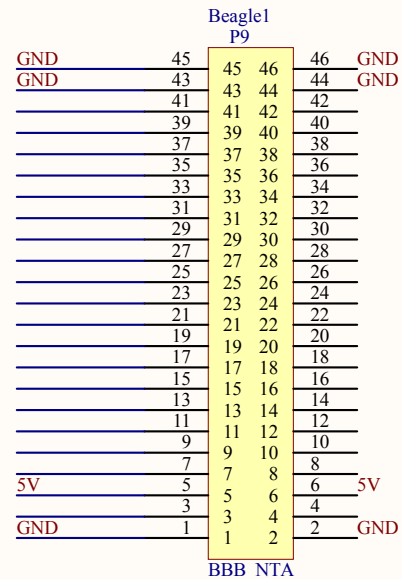
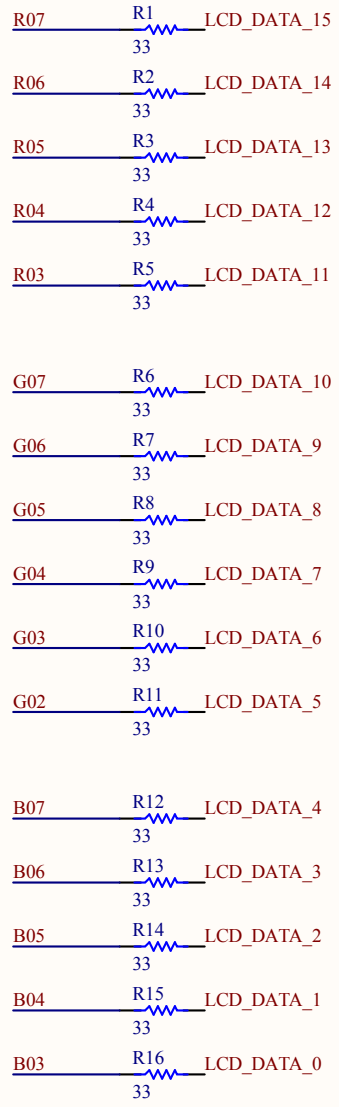


*1

60	60	GND
59	59	GND
58	58	GM10
57	57	GM9
56	56	GM8
55	55	GM7
54	54	GM6
53	53	GM5
52	52	GM4
51	51	GM3
50	50	GM2
49	49	GM1
48	48	12V
47	47	12V
46	46	3.3V
45	45	3.3V
44	44	GND
43	43	VCOM
42	42	VCOM
41	41	GND
40	40	LR
39	39	EDGSL
38	38	RESETB
37	37	GND
36	36	GND
35	35	GND
34	34	R03
33	33	R04
32	32	R05
31	31	R06
30	30	R07
29	29	GND
28	28	GND
27	27	G02
26	26	G03
25	25	G04
24	24	G05
23	23	G06
22	22	G07
21	21	GND
20	20	CLK
19	19	GND
18	18	GND
17	17	GND
16	16	B03
15	15	B04
14	14	B05
13	13	B06
12	12	B07
11	11	FRC
10	10	DE
9	9	UD
8	8	3.3V
7	7	GND
6	6	3.3V
5	5	3.3V
4	4	XAO
3	3	VGL
2	2	VGL
1	1	GND



Title		
Size	Number	Revision
A		
Date:	4/20/2015	Sheet of
File:	D:\Applications\...\ExpandBeagleLcd7.Sch Down By:	